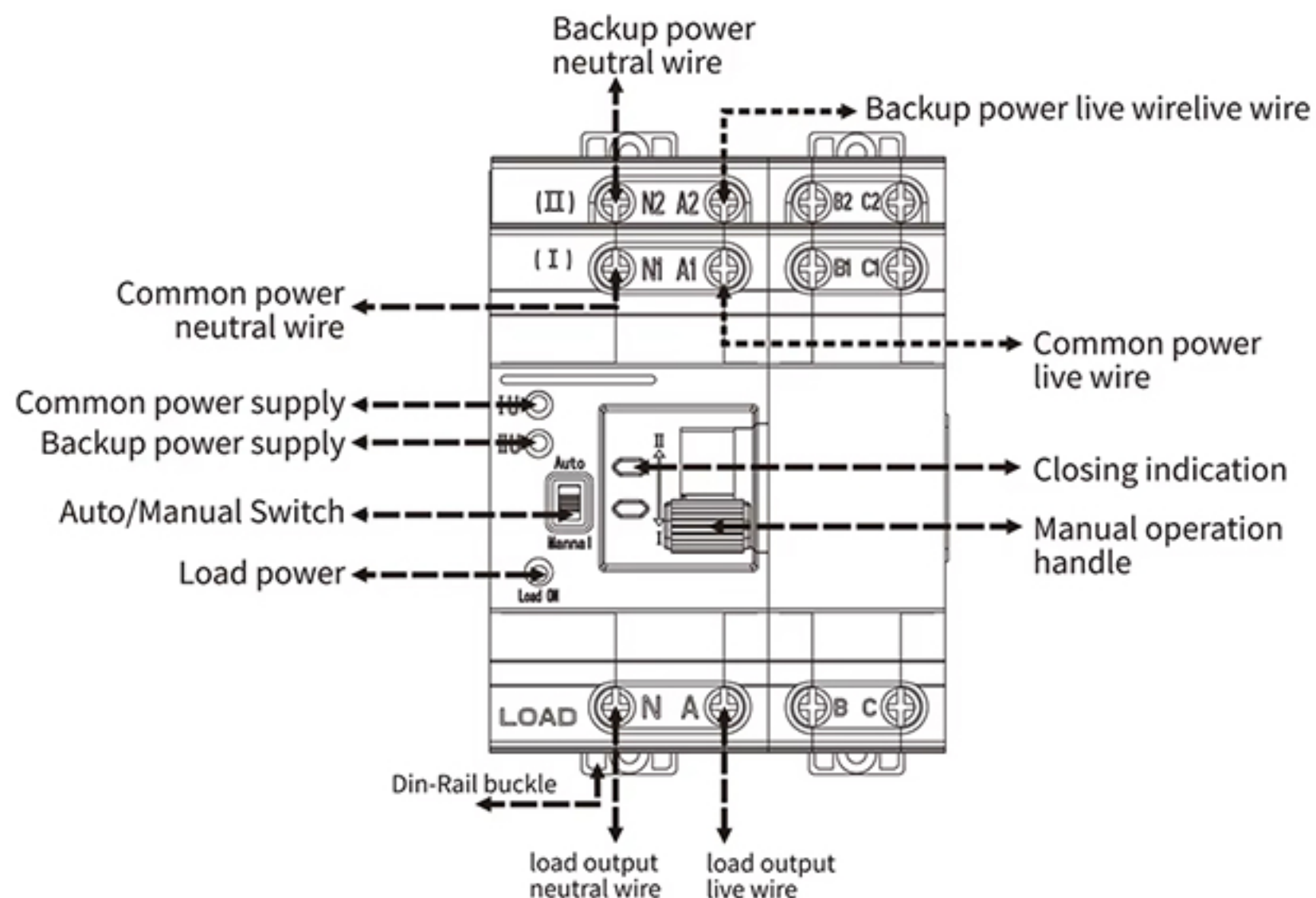
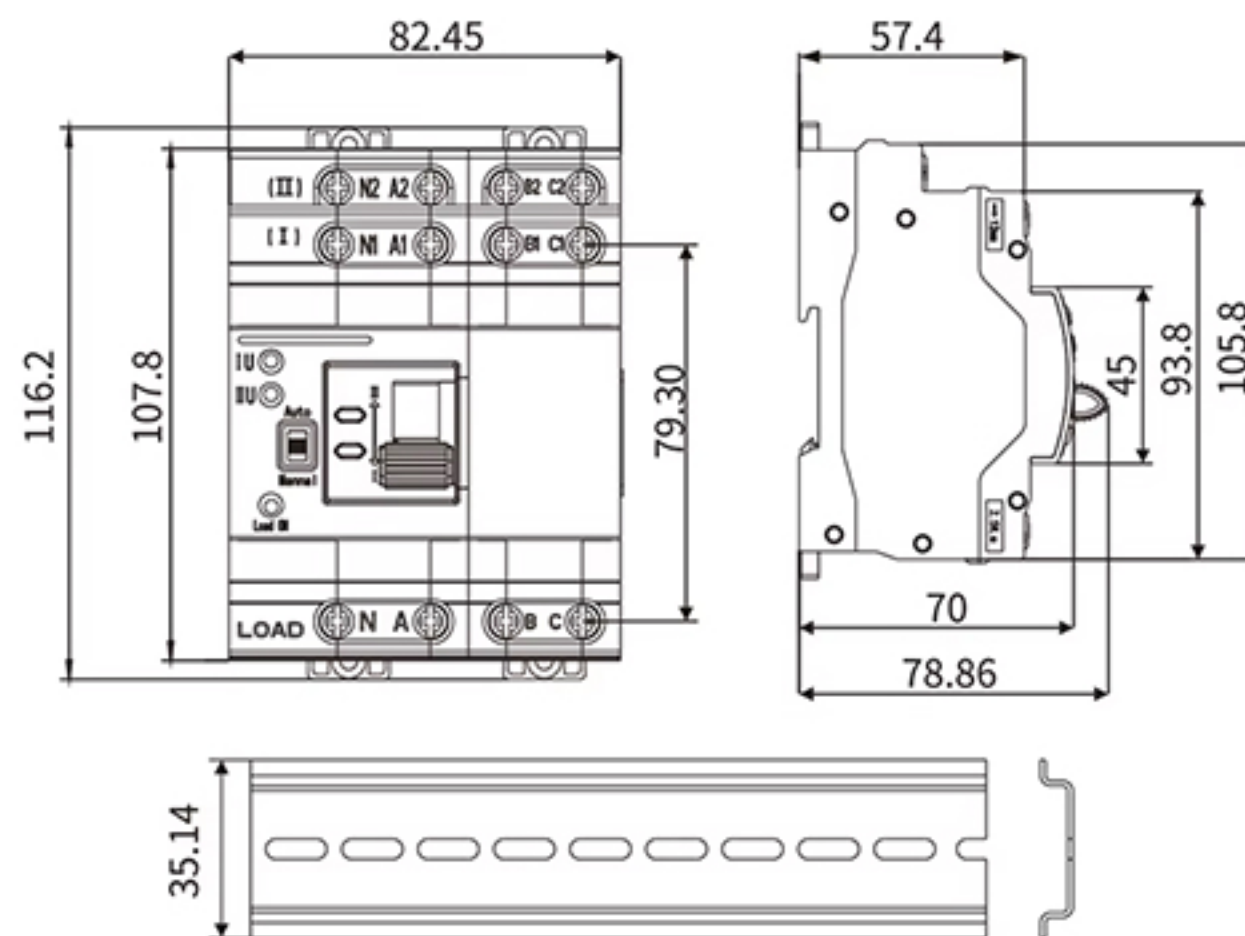


## Wiring instructions

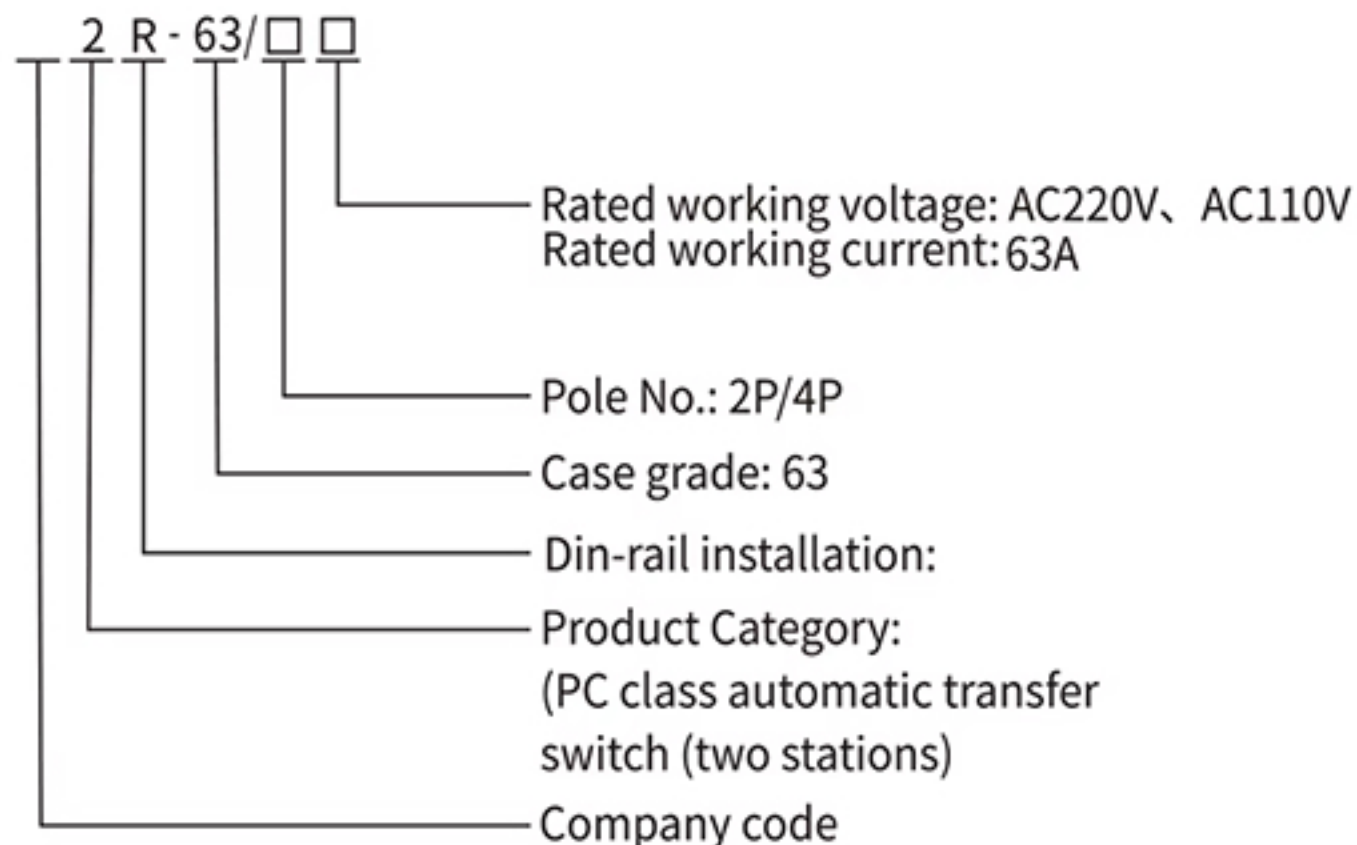


## Dimensions



Note: Terminal wiring area: fit for (1~25)mm<sup>2</sup>.  
Wire connection screw is M5, torque: 2.5N.m.

## Model&Meaning



## Main technical parameters

|   |  |
|---|--|
| Case grade                                | 63   |
| Rated operating current $I_e$ (A)         | 63A  |
| Rated insulation voltage $U_I$            | 690V   |
| Rated impulse withstand voltage $U_{imp}$ | 8kV  |
| Rated working voltage $U_e$               | AC220V/AC110V  |
| Rated frequency                           | 50/60Hz  |
| Class                                     | PC class: can be switched on and loaded without generating short-circuit current               |
| Pole number                               | 2P      4P   |
| Rated short-circuit current $I_q$         | 50kA   |
| Short circuit protection device (fuse)    | RT16-00-63A  |
| Rated impulse withstand voltage           | 8kV  |
| Control circuit                           | Rated control voltage $U_s$ : AC220V, 50Hz<br>Normal working conditions: 85% $U_s$ -110% $U_s$ |
| Auxiliary circuit                         | AC220V/110V 50Hz $I_e=5A$  |
| Contact change-over time                  | <50ms  |
| Operation change-over time                | <50ms  |
| Return change-over time                   | <50ms  |
| Power off time                            | <50ms  |
| Change-over operation time                | <50ms  |
| Mechanical life                           | ≥8000 times  |
| Electrical life                           | ≥1500 times  |
| Usage category                            | AC-31B   |